



# 3D Sense Pro Smart Sensor

## Proven School Safety Solution

**Vaping** - Fast and accurate alerts for vaping and smoking nicotine, THC, and other substances, not tricked by aerosol cleaning sprays

**Keywords** - Alerts whenever someone shouts "Help Me," "Stop It" and three other spoken keywords

**Noise Incidents** - Alerts for abnormal noise levels and decibel-thresholds alerts

**Tamper** - Alarm and alert options for tampering, vandalism, device disconnect, and sensor cover detection; IK10 rated

**Air Quality** - PMI, Humidity, Temperature, and VOC Index monitoring and alerts

**Alert Options** - SMS Text Message, Email, App Notification, 3rd Party Integration, Audible Alarm

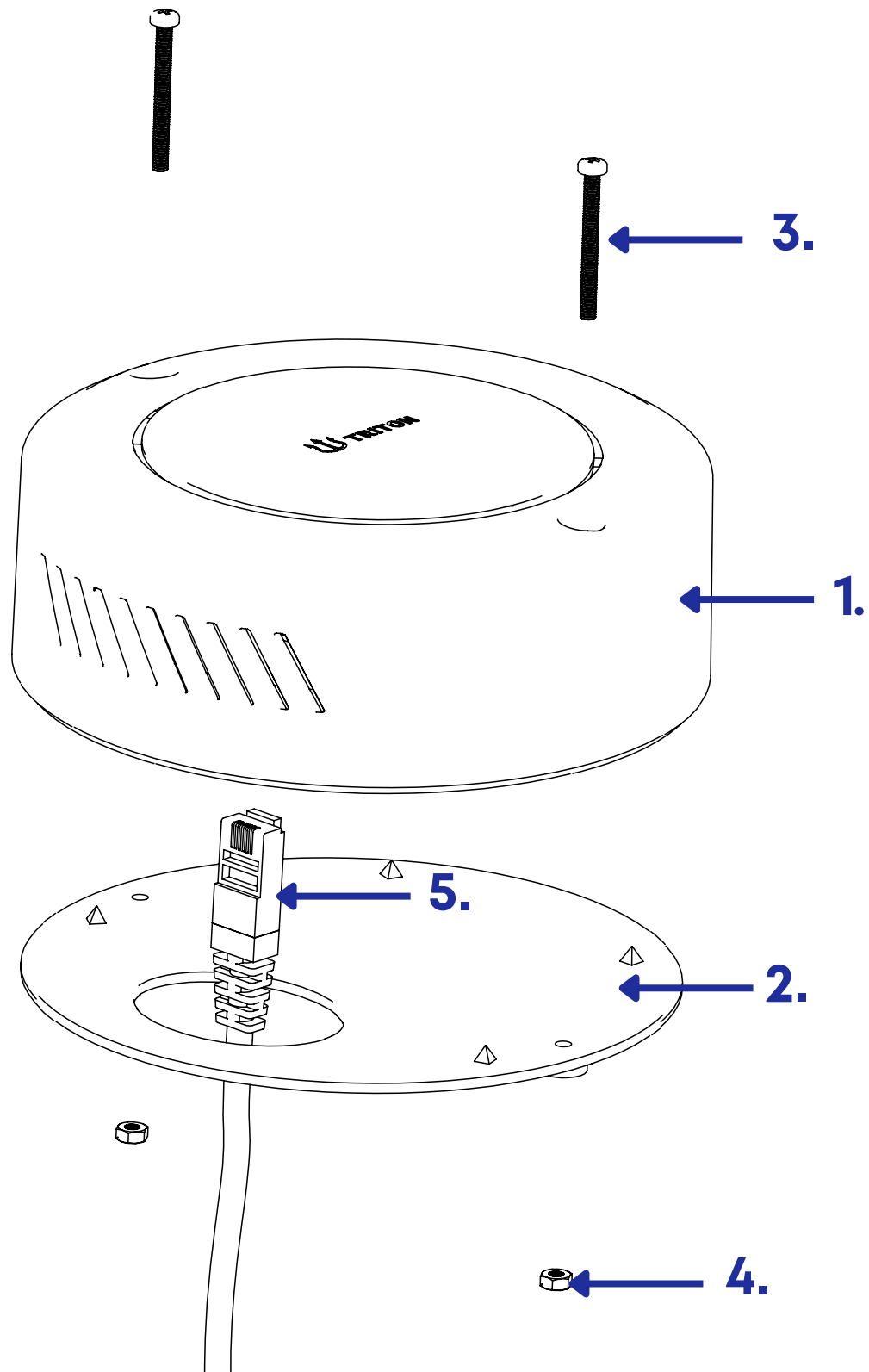


Contact **NEWCOM** for more information or a quote!  
781.826.7989 | [sales@newcomglobal.com](mailto:sales@newcomglobal.com)  
**NEWCOMGlobal.com**

# Device Information & Specifications

DETECTION	
Vaping	Detection of vaped and burn nicotine, THC, and other substances. Does not differentiate the substances. Tested on Juul, Puff Bar, SMOK, Elf Bar, Cigarettes, Marijuana Pens, and more.
False-Positive Rejection	Rejects most aerosols with a similar profile to vape/smoking (see masking detection)
Tamper Detection	<p><b>Device Vandalism:</b> Alert and alarm for excessive shaking associated with tampering</p> <p><b>Device Disconnect:</b> Alert when device is disconnected from its power/data source</p> <p><b>Masking and Sensor Cover:</b> Alert and alarm for spraying aerosols to cover the smell of illicit substances or covering the sensor with a bag, tape, or other method.</p> <p><b>Alarm:</b> Ultra-loud alarm to dissuade tampering</p>
Air Quality	Monitoring (sensor data updated every 15 minutes) of Temperature, Humidity, Particulate Matter Index, and VOC Index and custom alerts thresholds for each.
Spoken Keyword	5 distinct English keywords with more added regularly via software updates. Current keywords: Stop It, Help Me, Shooter, Gun, Vape. Keywords sensing is designed to only detect when someone says a keyword with <i>intent</i> . It will not pick up keywords in regular conversation.
Noise Incidents	Smart Incident detection: Automatically alerts you to a higher than normal noise level (associated with violence, vandalism, or aggression) Decibel thresholds: set a decibel threshold and receive alerts for any noise that exceeds it
SOFTWARE	
User Management	Supports District Admin, School Admin, Regular Users, and Contacts (notification recipients without an account)
Device Setup	Register new devices through Device ID or by scanning its QR Code
Security	Fully encrypted data managed by Google Cloud. Only stores personal information that is necessary for user notification (phone number, email, etc.)
Key Features	<p><b>Vaping Hot Spots:</b> Visualize the times and locations with the most vaping incidents</p> <p><b>Sensitivity Toggle:</b> Find the ideal sensitivity for your devices</p> <p><b>Operating Hours:</b> Choose to turn off alerts after school hours, on the weekend, etc.</p> <p><b>Device Updates:</b> Regular updates to add features, improve performance, and keep to date with security standards</p> <p><b>Integrations:</b> Integrates with numerous 3rd party video management systems to give context to alerts through automatic camera recording</p> <p><b>Alert Options:</b> Choose to receive notifications via SMS Text, App Notification, Email, 3rd Party Integration</p> <p><b>App Options:</b> Manage devices through the online dashboard or the iOS and Android App</p>
DATASHEET	
Operating Temperature	32°F – 104°F (0°C – 40°C)
Operating Humidity	0 to 90% Relative Humidity (non-condensing)
Power Supply	PoE (IEEE 802.3af Class 3 Compliance) 9W 48V
Dimensions	Diameter: 5.24 in Height 1.81 in   Diameter: 13.3 cm Height 4.6 cm
Mounting Options	Ceiling Flush Mount   For ceiling tiles, use a toggle bolt and anchor. For sheetrock ceilings with no studs, use a hollow wall anchor and screw. For walls, secure to a stud and wrap Ethernet cord around.
Certifications	CE, FCC, IK10, RoHS

## Device Components



- 1. 3D Sense Pro Device
- 2. Mounting Backplate
- 3. Mounting Bolt

- 4. Mounting Nut
- 5. Ethernet Cable (not included)